

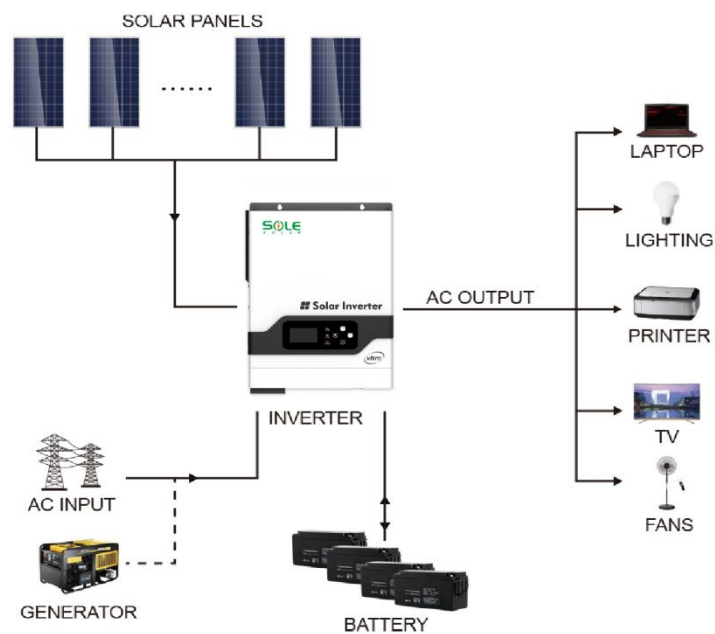
Off Grid Solar Systems



Off Grid Solar System Details

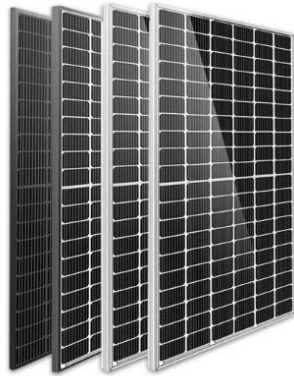
Most off-grid solar systems are designed to produce a certain amount of “extra” electricity in the daytime, which is sent to batteries for storage. The energy stored in those batteries can then be accessed when the system is not producing, like at night or during cloudy weather.

Depending on your energy goals, systems can be sized to produce enough excess electricity in the daytime to cover your entire energy usage around the clock.



Solar Systems Solutions

(OFF-Grid Solar Power System)



SOLE SOLAR PANELS

- Poly Solar Panel, Mono Solar Panel, PERC- High Voltage & High Efficiency.
- Using high efficiency solar cells.
- Low-light Performance.
- Durability Against Extreme Environmental Conditions .
- High quality junction box and connector systems.
- Guarantee the reliability of Solar Products.

OFF-GRID SOLAR INVERTER

- MAX PV Array Open Circuit Voltage: 450V.
- Pure sine wave solar inverter.
- Built-in MPPT solar charge controller.
- Smart LCD setting (Working modes, Charge Current, Charge Voltage, etc).
- Can provide the power to the load without battery.
- Combining solar system, AC utility, and battery power source to supply continuous power.
- Cold start function.
- Support USB, RS485 monitoring function.

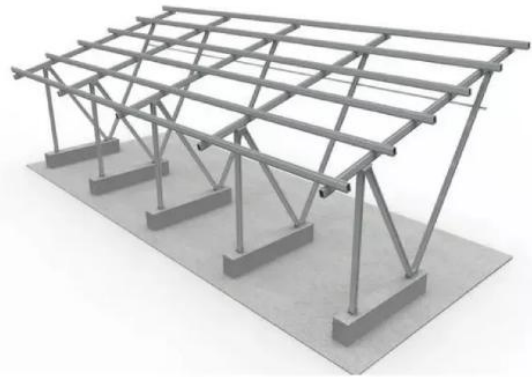


SOLE SOLAR BATTERY

- Lithium Battery / Lead-acid Battery.
- Longer Cycle Life.
- Wide suitability of ambient temperature range.
- Increased Flexibility.
- High discharge performance.
- Easy installation & Maintenance-free.
- Maintenance is simple, reducing deep discharge.

SOLAR MOUNTING SYSTEM

- Residential Roof(Pitched Roof).
- Ground Solar Mounting System.
- Car parking solar mounting system.
- Vertical wall solar mounting system.
- Commercial Roof(Flat roof&workshop roof)
- All aluminum structure solar mounting system.
- Strong weather ability, easy for operation.
- Make installation easy and convenient.



SOLAR SYSTEM ACCESSORIES

- Inverter panel connector.
- PV Cable & MC4 Connector.
- PV combiner box(Optional).
- Installation tools.
- Please check the details with SOLE SOLAR before buying,Thanks.

Packing



CONTACT INFORMATION

E-mail: info@solesolarpv.com

Address: 6/F, Fulin Building, No. 6297 Bao'an Avenue, Fuhai Street, Baoan District, Shenzhen, China.

Tel: 0086-0755-23088748

CONTACT US!